

RTM608

6" Line Voltage Specular Baffle Trim

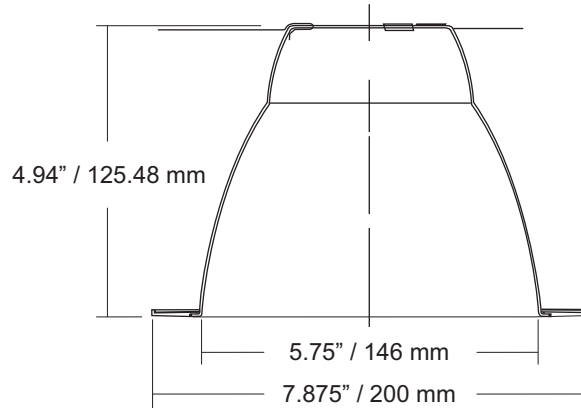
For PAR20 / PAR30L / PAR38 / BR40 / CFL Lamps

Catalog # : _____

Project : _____

Type : _____

Comments : _____



DESCRIPTION

The RTM608 is a 6" aperture line voltage specular baffle with a White trim ring. The RTM608 is used for PAR20 / PAR30L / PAR38 / BR40 / CFL lamps. The RTM608 is available in Polished Chrome specular baffle.

DESIGN FEATURES

- **Reflector**
 - Precision spun .040" thick painted steel
- **Lamp**
 - PAR20 / PAR30L, 75W Max. (for IC or Non-IC applications)
 - PAR38 / BR40, 90W Max. (for IC or Non-IC applications)
 - A19, 60W Max. (for IC or Non-IC applications)
 - CFQ13W/GX23, 13W Max. (for IC or Non-IC applications)
- **Housing**
 - Designed to work with 6" recessed housings.
 - * RF6011CAT
 - * RF6021CAT
 - * PL6-MV-013
- **Listing**
 - cULus Listed.

Ordering Information

Trim	Color
-- RTM608	-- -CH

Example : RTM608-CH



Liteline Corporation
8 Abacus Road, Brampton, ON
L6T 5B7

Tel: 416-996-1856
Fax: 905-794-1990

Email: sales@liteline.com
Website: liteline.com