



# Centium T5

## CENTIUM ELE BALLAST (2) F28T5 347V

Philips Advance Centium ballasts for T5 lamps at 120–277V are now available with our industry leading N-can at 9.5" x 1.3" x 1.0" or T-can at 14.17" x 1.18" x 1.06", which provides fixture manufacturers increased versatility in their newer generation fixture designs. These ballasts are compatible with all major energy-saving T5 linear lamps and have a variety of other features which makes them ideal for a variety of applications. The ballasts' programmed start ignition provides extended lamp life in frequent switching applications such as those where occupancy sensors are being used. They also feature lamp End-Of-Life (EOL) protection circuitry which safely removes power from the lamp at the end of lamp life.

### Product data

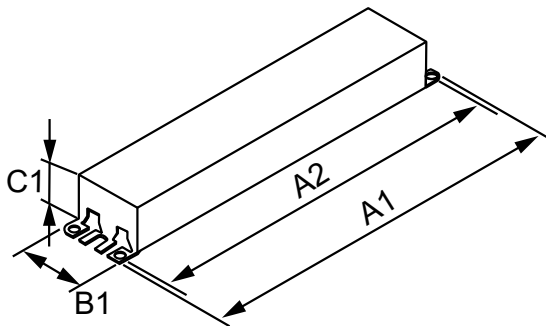
General Information		Input Power (Nom)	
Lamp Type	F28T5	Input Power (Nom)	60–60 W
Number of Lamps	1/2 piece/unit	Rated Lamp Power	28 W
Ballast Type	Electronic Fluorescent	<b>Wiring</b>	
Base Model	GCN2S28L	Color Input Terminals	No terminals
Suitable For Outdoor Use	Yes	Color Output Terminals	No terminals
Automatic Restart	Yes	Wire Striplength	0.50/0.375 mm
<b>Operating and Electrical</b>		Lamp Connection	Series
Input Voltage	347 V	Wire Length by Color	See data sheet
Input Frequency	50 to 60 Hz	Wire Gauge (Nom)	18AWG mm
Total Harmonic Distortion USA	10 %	Wire Type	Solid
Ignition Method	Programmed Start	Remote Wiring Configuration Allowed	Yes
Crestfactor (Nom)	1.7	Tandem Wiring Configuration Allowed	Yes
Ignition Time (Nom)	1.5 s	Through Wiring Configuration Allowed	Yes
Ballast Factor (Nom)	1.01	Max Ballast-Lamp Distance Remote Wiring	20'
Power Factor (Nom)	0.98	Max Ballast-Lamp Distance Tandem Wiring	Any = 10'
Input Current (Min)	0.17 A	Max Ballast-Lamp Distance Through Wiring	Any = 10'

## Centium T5

Connector Type	No connector
<b>Temperature</b>	
T-Case Maximum (Nom)	70 °C
<b>Mechanical and Housing</b>	
Housing Material	Metal
Housing	L
Housing Dimensions	16.7" x 1.18" x 1.0"
<b>Approval and Application</b>	
EMC Immunity Standard	FCC Non-Consumer
Approval Marks	CSA certificate UL certificate CEC Listing RoHS Compliant

Hum And Noise Level	A
UL Recognized	No
<b>Product Data</b>	
Order product name	CENTIUM ELE BALLAST (2) F28T5 347V
EAN/UPC - Product	781087131992
Order code	913701253602
Numerator - Quantity Per Pack	1
Numerator - Packs per outer box	10
Material Nr. (12NC)	913701253602
Net Weight (Piece)	667.000 g

### Dimensional drawing



ELE BALLAST (2) F28T5 347V

Product	A1	A2	B1	C1
CENTIUM ELE BALLAST (2) F28T5 347V	16.70 in	16.34 in	1.18 in	1.00 in

