

Gimbal LED Light



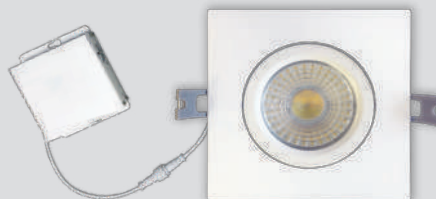
4" Round Gimbal LED



4" Round Gimbal LED (Air Tight)
- 3Way CCT Adjustable



4" Round Gimbal LED (Slim)
Option:
- 3Way CCT Adjustable
- 5Way CCT Adjustable



4" Square Gimbal LED



4" Square Gimbal LED (Air Tight)
3,5 Way CCT Adjustable



4" Square Gimbal LED (Slim)
3,5 Way CCT Adjustable



Specification				
	Round		Square	
Model No.	VO-GRP4W10-120-D-3WY VO-GRP4W10-120-D-5WY	WH BL BN	VO-GSP4W10-120-D-3WY VO-GSP4W10-120-D-5WY	WH BL BN
Lumen	750LM			
Power	10W			
Color Option	White / Black / Brush Nickle			
CRI	>80			
Input Voltage	120V/60Hz			
Power Factor	>0.7			
Beam Angle	38°			
Certification	ETL , ES			
Life Time	50000 hrs			

Features

Safe - This downlight comes with airtight back seal cap, prevent dust from falling into the lamp body. It is with IC rated & airtight junction box, protecting from overheating and designed to be installed in the ceiling surrounded by insulation.

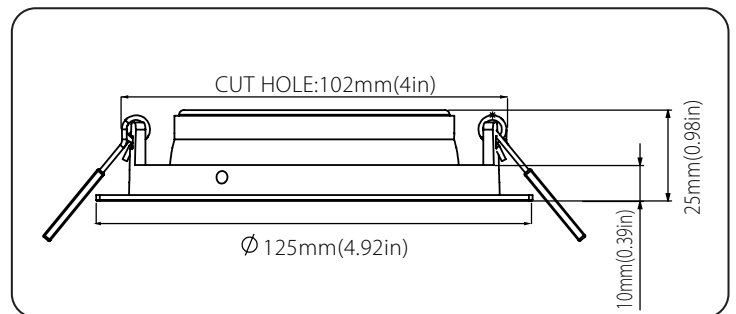
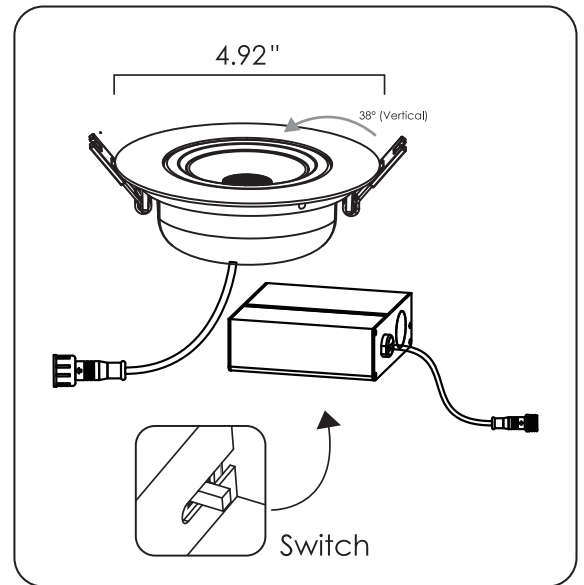
It's ETL certified, which means it has met the nationally recognized safety requirements.

- Energy Efficient - With Energy Star labeled, it consumes only 10 watts, equivalent to 60W halogen. That's so easy to save up to 90% on the electric bill.

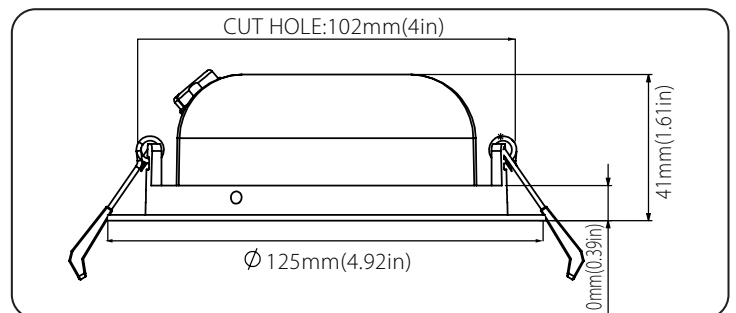
- Rotatable Design - with a gimbal trim, the light head is 38° vertical rotatable, which can be used for directional lighting.

- Long Lifespan - The lifespan is as long as 50,000 hours. We provide 5 years warranty and lifetime technical support.

Cut Hole : 102mm(4in)



Slim Gimbal



Airtight Gimbal

