



DA2010

DELTA LED Track Fixture
Track Systems

| Job Information | | |
|-----------------|--|------|
| Project Name | | Type |
| Location | | |
| Quantity | | Date |
| Contact/Phone | | |
| Notes | | |

Features

Body

Constructed of aluminum, the body features an aesthetically pleasing smooth cylindrical shape.

Beam Spread

The fixture features a 38° beam spread for optimal light distribution.

Dimming

The track fixture is 100~10% dimmable when used with TRIAC dimming controls (Consult factory for compatible dimmers).

Adjustability

Adjustable up to 90° tilt and 358° rotation to allow for spotlight into multiple directions.

LED Characteristics

Available in 10 Watt Bridgelux® LED engine maintains uniform intensity with a typical luminous flux up to 1050 lumens, with up to 90 CRI.

Compatibility

Fixture is provided with a A-Line connector. For other configurations, please refer to ordering guide.

Labels

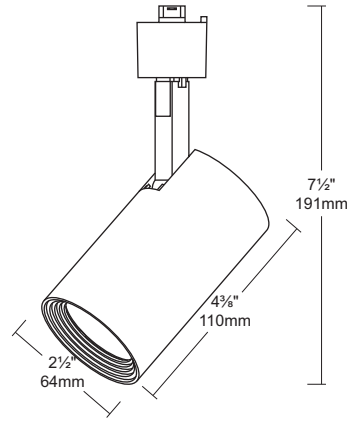
- cETLus listed

| SPECIFICATION | |
|-------------------|-----------------------------------|
| Application | Track |
| Approved Location | Dry / Indoor |
| Beam Angle | 38° |
| CCT | 2700 K / 3000 K / 3500 K / 4000 K |
| Certification | cETLus |
| Colour | BK / SL / WH |
| CRI | 80 / 90 |
| Dimming | Yes |
| Dimming Tech | TRIAC/ELV |
| LM80 | Yes |
| Lumens | Up to 1050 |
| Lumens per Watt | Up to 100 |
| Power Factor | ≥0.98 |
| Primary Voltage | 120 |
| Projected Life | 50,000 hrs |
| Rotation | 358° |
| Tilt | 90° |
| TM-30 Annex E | 80 CRI: P3/V-/F-90 CRI: P2/V-/F2 |
| Warranty | 5 Years |
| Wattage | 80 CRI: 10W 90 CRI: 9W |



Description

DELTA is an aluminum designer track fixture with up to 10 watt LED module. It provides directional light source for specific aiming and assures a secure lock on the angle position.



| Color Temp. | Lumens | |
|-------------|--------|--------|
| | 80 CRI | 90 CRI |
| 2700 K | 960 | 640 |
| 3000 K | 1,010 | 670 |
| 3500 K | 1,040 | 690 |
| 4000 K | 1,050 | 700 |



Ordering Guide

Connector Type - **DA2010** - Color Temp. - Beam Angle - CRI - Finish Color

Blank : A-Line (ATK Track)
 30 : 3000 K
 38 : 38°
 Leave blank for 90 CRI
 BK : Black
H : H-style
 40 : 4000 K
 80 : 80 CRI
 WH : White
L : L-style
 27 : 2700 K
 SL : Silver
LL : Liteline (TK Track)
 35 : 3500 K

QUICKSHIP
7-DAY

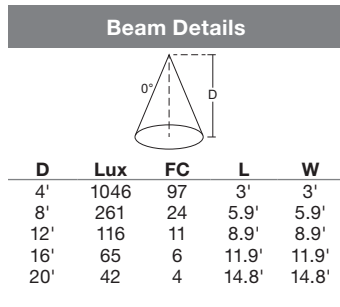
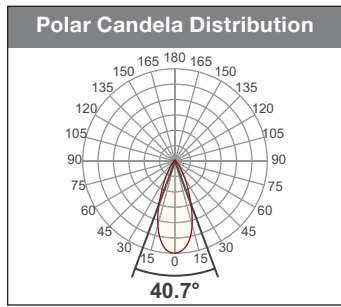
Highlighted option denotes Quick Ship.

Notes:
 Quick Ship option is available on orders of 100 pieces or less, and will ship within 5 business days. Options must be selected from Quick Ship section to qualify. For additional options please consult your Liteline representative. All trademarks are the property of their respective owners. Halo is a registered trademark of Cooper Lighting. Lightolier is a registered trademark of Philips.
 Due to our continued efforts to improve our products, product specifications are subject to change without notice.

Liteline Corporation Telephone Fax
 Copyright © 2023 416.996.1856 905.709.5255
 All rights reserved. 1.866.730.7704 1.888.738.9736

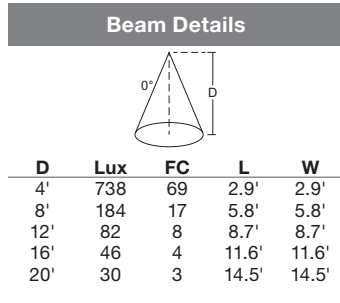
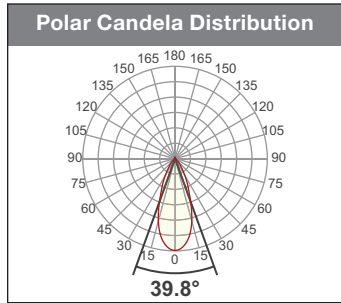
LITELINE.COM

DA2010-3038-80WH : 10W DELTA TRACK FIXTURE, 3000 K, 38° BEAM SPREAD, 80 CRI, WHITE



| Zone | Lumens | % Luminaire |
|--------|--------|-------------|
| 0-30 | 316 | 31.79% |
| 0-40 | 491 | 49.40% |
| 0-60 | 753 | 75.75% |
| 60-90 | 183 | 18.41% |
| 70-100 | 132 | 13.28% |
| 90-120 | 69.6 | 7.00% |
| 0-90 | 936 | 94.16% |
| 90-180 | 109 | 10.97% |
| 0-180 | 994 | 100.00% |

DA2010-3038-WH : 9W DELTA TRACK FIXTURE, 3000 K, 38° BEAM SPREAD, 90 CRI, WHITE



| Zone | Lumens | % Luminaire |
|--------|--------|-------------|
| 0-30 | 475.7 | 69.1% |
| 0-40 | 567.4 | 82.5% |
| 0-60 | 633.0 | 92.0% |
| 60-90 | 23.3 | 3.4% |
| 70-100 | 16.8 | 2.4% |
| 90-120 | 12.5 | 1.8% |
| 0-90 | 656.3 | 95.4% |
| 90-180 | 31.8 | 4.6% |
| 0-180 | 688.1 | 100.0% |