

C242/347xxx

APPLICATION and PERFORMANCE SPECIFICATION

Description: Electronic compact fluorescent ballast(s) for (2) & (1) CFM42W/GX24q; or (2) FC12T5-40W; or (2) FT36W/2G11; or (2) CFTR32W/GX24q; (2) CFS28W/GR10q; or (2) CFQ/TR26W/GX24q; or (2) FT24W/G11; or (2) FC9T5-22W; or (1) FT55W/2G11; or (1) CFM57W; or (1&1) FC9T5-22W & FC12T5-40W 4-pin lamps

- Line Voltage: 347vac, ±10%, 50-60Hz
- High Power Factor

- Programmed Rapid Start
- Series Lamp Connection

Model	Line Volts	Lamp		Input Watts*	Nominal Line Amps	Ballast Factor	Power Factor	THD	Crest Factor
		Type	#						
C242/347xxx	347	CFM42W	2	80	0.25	.98	> 0.98	< 10%	<1.6
C242/347xxx	347	CFM42W	1	42	0.13	1.00	> 0.98	< 10%	<1.6
C242/347xxx	347	CFM57W	1	61	0.18	1.00	> 0.98	< 10%	<1.6
C242/347xxx	347	CFM70W	1	74	0.21	1.00	> 0.98	< 10%	<1.6
C242/347xxx	347	FC12T5-40W	2	71	0.22	.98	> 0.98	< 10%	<1.6
C242/347xxx	347	FT36W/2G11	2	64	0.19	.90	> 0.98	< 10%	<1.7
C242/347xxx	347	CFTR32W	2	62	0.19	1.00	> 0.98	< 10%	<1.6
C242/347xxx	347	CFS28W	2	60	0.18	1.00	> 0.98	< 10%	<1.6
C242/347xxx	347	CFQ/TR26W	2	44	0.14	1.02	> 0.98	< 10%	<1.6
C242/347xxx	347	FT24W/2G11	2	49	0.14	1.02	> 0.98	< 10%	<1.7
C242/347xxx	347	FT55W/2G11	1	43	0.13	.83	> 0.99	< 10%	<1.7
C242/347xxx	347	FC9T5-22W	2	47	0.14	1.05	> 0.98	< 10%	<1.7
C242/347xxx	347	FC9T5-22W & FC12T5-40W	1 & 1	59	0.18	.98	>0.98	< 10%	<1.7

* ANSI measured wattage; 25°C ambient; benchtop; lamps base up

Performance:

- Meets ANSI Standard C82.11
- Meets FCC Part 18 (Non-Consumer), Limits for EMI/RFI
- Operating Frequency Range: 50-60 kHz
- **Auto-Reset Shutdown Circuit** per NEMA Recommendations
 - Both lamps should be replaced at end of life
 - Lamps relight upon insertion in socket
- Suitable for use in air handling spaces when NEC wiring guidelines are followed

Safety:

- No PCB's
- cUL_{US} Listed

Application:

- Minimum Starting Temperature: 0° F, -18° C
- Maximum Ambient Temperature: 122° F, 50° C
- Maximum Case Temperature (@ t_c): 167° F, 75° C
- Sound Rated: A
- Lead configuration:
 - xxx = BE - Bottom Exit
 - or BES - Bottom Exit with Studs (2" on center)
 - or ME - Multi-Exit
 - or MES - Multi-Exit with Studs (2" on center)
- Remote Mounting: 12 feet

Physical Parameters

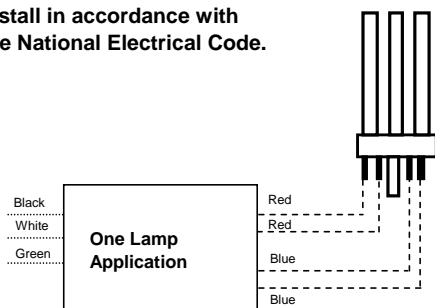
- Overall Length: 4.94"
- Width: 2.98"
- Mounting: 4.61"
- Height: 1.00"
- Weight: 0.9 lbs.
- Qty/Carton: 20
- Color: White
- Can Material: Metal

Warranty:

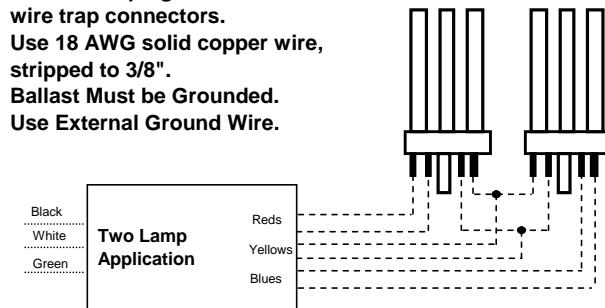
Universal Lighting Technologies warrants to the purchaser that each electronic ballast will be free from defects in material or workmanship for a period of 5 years from date of manufacture when properly installed and under normal conditions of use. Call 1-800-BALLASTx800 for technical assistance.

Manufactured in North America

Install in accordance with the National Electrical Code.



Ballast has plug in wire trap connectors. Use 18 AWG solid copper wire, stripped to 3/8". Ballast Must be Grounded. Use External Ground Wire.



"Data is based upon tests performed by Universal Lighting Technologies in a controlled environment and is representative of relative performance. Actual performance can vary depending on operating conditions. Specifications are subject to change without notice. All specifications are nominal unless otherwise noted."