

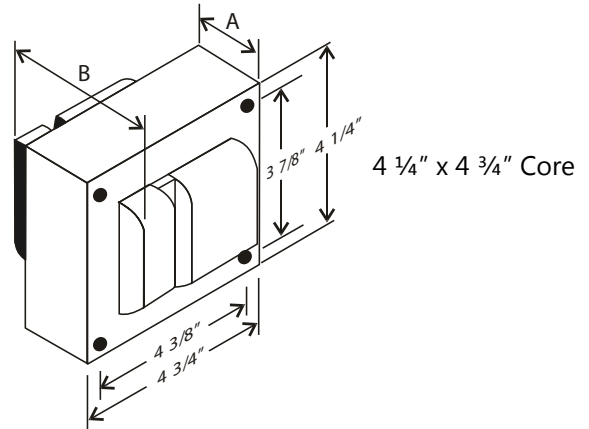
ORDERING INFORMATION

Order code: 61692
 Description: BMH0400/5TAP/C/CWA/H/K/STD
 UPC: 69549616929



SPECIFICATIONS

Ballast type: Magnetic metal halide
 Ballast style: Core and coil
 Circuit type: CWA
 ANSI code: M59
 Input voltage (V): 120/208/240/277/480
 Input frequency (Hz): 60
 Line volt regulation: $\pm 10\%$
 Line watt regulation: $\pm 10\%$
 Insulation class: H (180°)



| Input voltage (V) | Operating current (A) | Open circuit current (A) | Starting current (A) | Rated lamp watts (W) | Input watts (W) | OCV (V) | Dropout voltage (V) | UL 1029 code | Fuse rating (A) | Input current (A) | Power factor | Starting temperature |
|-------------------|-----------------------|--------------------------|----------------------|----------------------|-----------------|---------|---------------------|--------------|-----------------|-------------------|--------------|----------------------|
| 120 | 4.00 | 3.30 | 3.00 | 400 | 458 | 300 | 60 | D | 10 | 2.50 - 3.10 | 0.90 | -20°F / -30°C |
| 208 | 2.30 | 1.90 | 1.75 | 400 | 458 | 300 | 104 | D | 7 | 1.45 - 1.80 | 0.90 | -20°F / -30°C |
| 240 | 2.00 | 1.87 | 1.50 | 400 | 458 | 300 | 120 | E | 5 | 1.13 - 1.57 | 0.90 | -20°F / -30°C |
| 277 | 1.70 | 1.48 | 1.30 | 400 | 458 | 300 | 140 | E | 5 | 1.00 - 1.34 | 0.90 | -20°F / -30°C |
| 480 | 1.00 | 0.86 | 0.75 | 400 | 458 | 300 | 240 | E | 3 | 0.61 - 0.78 | 0.90 | -20°F / -30°C |

HIGH POTENTIAL TEST (V)

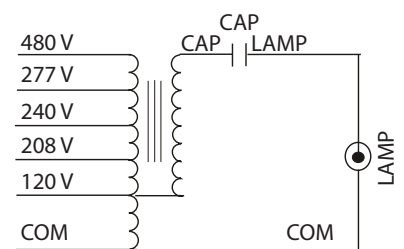
| | |
|----------------|-------------|
| 1 minute: | 2 000 |
| 2 seconds: | 2 500 |
| OCV test: | 270 - 330 |
| Short circuit: | 3.55 - 4.25 |

BALLAST DIMENSIONS

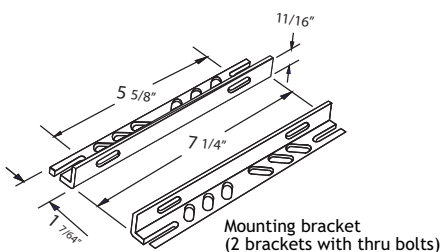
| | |
|---------------|--------|
| Dimension A: | 2.00" |
| Dimension B: | 3.85" |
| Lead Lengths: | 12.00" |
| Weight (lbs): | 13.50 |

WIRING DIAGRAM

Ground ballast core



BRACKET



CAPACITOR

