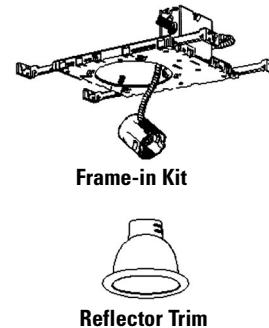
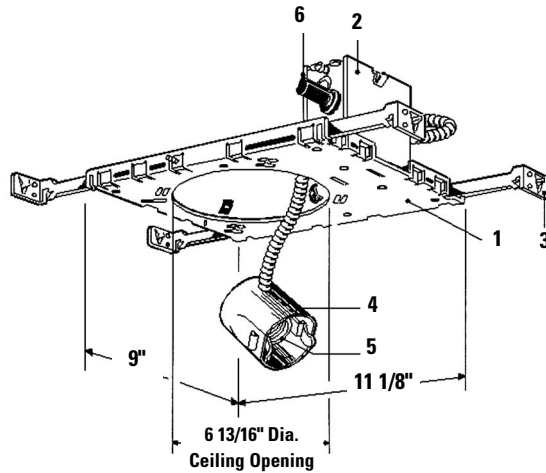


Project:	Catalog No:	Mfg:
Location:	Fixture Type:	Qty:
Notes:		Lamps:



Complete Fixture consists of Reflector Trim & Frame-In Kit. Select each separately.

Frame-In Kit	Reflector Trims — See Individual Reflector Trim Specification Sheets												
	Open Downlight						Adjustable				Enclosed Diffusers	Open Wet	Wall Washer
	Anodized Reflector	Cone	Satin Cone	Baffles	Basic White	Cross Blade	Recessed Line Voltage		Eyeball				
1102P1	1143	1112	1108	1105	1170M1	1132	1127	1129CLNM	1122	1121	1184WH	1135	
1102P1M	1144	1113	1108NM	1105NM	1171		1127BNM	1129WH	1122WH	1124	1184CD	1135WH	
	1144CD	1113BK	1110	1105BNM			1127NM	1129BK		1126		1185	
	1145	1113WH	1110NM	1176			1127WH	1138		1128		1195	
3/8" Integral Plaster Lip	1146	1113CD		1176WH			1127BK	1138NM		1177SH		1196	
	1146CD	1113NM					1127CD	1148		1178SH		1196CD	
	1149						1129	1148NM		1190			
	1150						1129CD	1122					
	1151						1129CDNM	1124					
	1151CD						1129CL						

Features

- Mounting Frame:** .036" (#20 ga.) galvanized steel. Accommodates all ceilings up to 1" thick; including existing or inaccessible areas. P1M version has 3/8" deep integral plaster lip. Four slots positioned 90° apart to simplify alignment, breakout section and anchor nails permit installation in existing ceilings from below. Push-in/twist-out rotoclips hold reflector flush to ceiling.
- Junction Box:** 4" x 3 1/2 x 2"- .063 (#14 ga.) galvanized steel. U. L. listed for maximum of 8 No. 12 ga. 75° C through branch circuit conductors (60° C end of run). Integral cable clamps permit attachment of nonmetallic Romex® or armored cable without need of additional connectors.
- Mounting Bars:** .059" (#16 ga.) galvanized steel. 13" long bars extend to 27", rotatable and lockable, with integral T-bar tabs. Attach to wood joist or T-bar ceilings without need of accessories.
- Socket Housing:** Impact extruded aluminum or galvanized steel.
- Socket:** Porcelain medium base; nickel plated screw shell. Pre-wired with #18 ga. SF1 leads to junction box.
- Thermal Protector:** Meets NEC and UL requirements. Insulation must be kept 3" away from fixture sides and wiring compartments and must not be placed above fixture in a manner which will entrap heat.

Options & Accessories

- Mounting Bars:** 1976 - 13" set of (4)
- Plaster Ceiling Ring:** 1961 - 7/8" depth for wet plaster ceilings. Not for use with P1M mounting frame.
- Extra-Thick Ceiling Mounting Ring:** 1967A - up to 2" thick ceilings.
- Remodeler Anchor Clip:** 1985S
- 277V Remote Step Down Transformer:** 7997 - 227V down to 120V
- Conversion Kit:** 1910CKU - Reference conversion kit specification sheet for trim and lamp options.

Labels

UL (Suitable for Damp Locations), I.B.E.W.

Romex® is a registered trademark of General Cable Industries Inc.