

## PRODUCT SPECIFICATIONS

40659-00W, 40681-00x, 40682-00W

# Decora® Insert with Telephone 6P4C Jack and F-Connector Coupler

## APPLICATION

Leviton Telephone and Video Decora inserts are ideal where flush mount telephone or video connection plates are needed. The Decora Inserts support voice and video applications in NEMA openings where a Decora-brand look is desired. Durable video connection wallplates are available with a nickel-plated female-to-female 75 Ohm F-Connector Coupler.



40659-00W

40682-00W

40681-00x

## SPECIFICATION

The Leviton Telephone and Video Decora Inserts meet all applicable standards and be available in 3 configurations including a single F-Connector Coupler insert, a dual F-Connector Coupler insert, and a combination F-Connector Coupler and 6P4C telephone connector insert. The inserts will fit standard NEMA openings and support Leviton Decora wallplates. The F-Connector Coupler supports all video applications and supports frequencies up to 3GHz. The 6P4C connector will utilize a lead-frame design and provide four screw terminals for easy termination. USOC Terminal designation shall be molded into the connector.

## FEATURES & BENEFITS

- Mounts to single-gang backboxes or four-square boxes with appropriate user-provided reducer
- Smooth finish matches Leviton's existing Decora wallplates for a consistent look throughout the home or business
- Decora inserts are compatible with Decora wallplates and Decora Plus screwless wallplates
- Available with one F-Connector Coupler, two F-Connector Couplers, or a combination F-Connector Coupler and 6P4C telephone jack

## DESIGN CONSIDERATIONS

- Compatible with Decora Plus Wallplates when used with standard NEMA back boxes that sit flush or are slightly recessed in the wall
- Not compatible with Decora Plus Wallplates when used with low-voltage box eliminators

## STANDARDS & REGULATIONS

- c(UL)us Listed
- FCC part 68 (6P4C connector)
- ANSI/SCTE (F-Connector)

## MECHANICAL SPECIFICATIONS

Dimensions:	See page two
Materials:	<b>Decora Insert:</b> Polycarbonate
	<b>F-Connector:</b> Nickel plated zinc or brass
	<b>Telephone Connector:</b> ABS

## COUNTRY OF ORIGIN

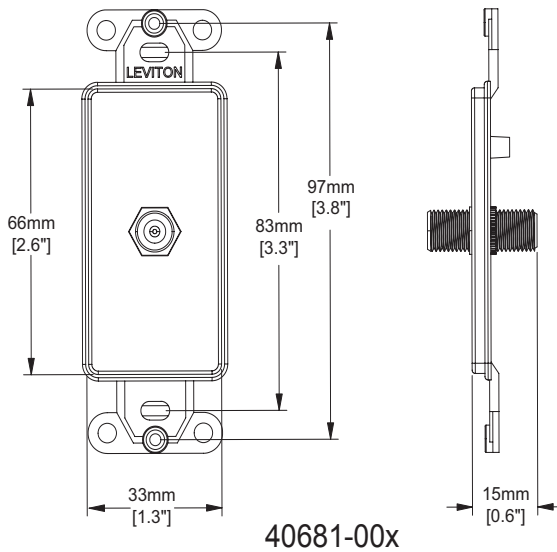
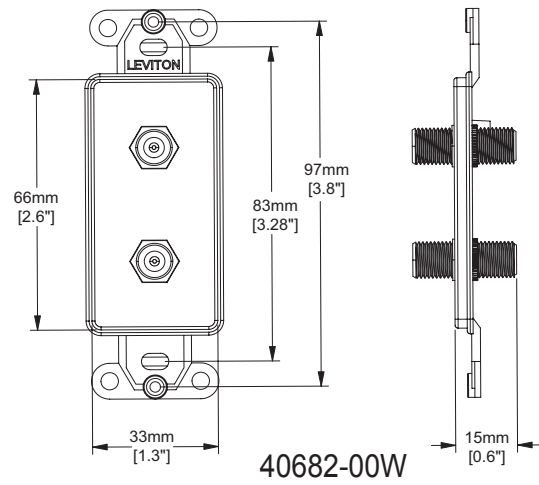
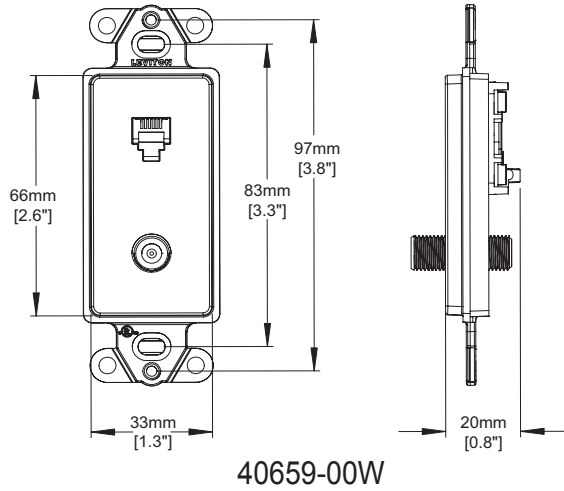
40659: USA  
40681, 40682: Taiwan

## WARRANTY INFORMATION

For Leviton product warranties, go to [Leviton.com/ns/support](http://Leviton.com/ns/support)

40659-00W, 40681-00x, 40682-00W

**PRODUCT SPECIFICATIONS**  
**40659-00W, 40681-00x, 40682-00W**



**40659-00W, 40681-00x, 40682-00W**

**PART NUMBER**

Description	White	Lt. Almond	Ivory	Gray	Brown
Decora® Insert, 6P4C and F-Connector Coupler	40659-00W	—	—	—	—
Decora Insert, one F-Connector Coupler	40681-00W	40681-00T	40681-00I	40681-0GY	40681-00B
Decora Insert, two F-Connector Couplers	40682-00W	—	—	—	—

For further support information, visit [Leviton.com/ns/support](http://Leviton.com/ns/support)