

# Philips Advance Xitanium LED Driver

## PHILIPS ADVANCE XITANIUM LED DRIVER SPEC SHEET



XITANIUM 40W 1.05A 0-10V INT-J  
XI040C105V042CNJ1

### Features

- 3 drive current options available – 700mA, 1050mA, 1200mA, with UL Class 2 output
- 0-10V dimming
- Compact housing

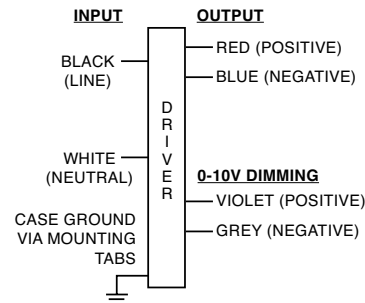
### Benefits

- Flexibility of design via multiple drive currents and low voltage
- Helps to maximize energy savings and allows application specific light levels
- Enables design of low profile and compact fixtures

### Dimensions

	in.	mm
Case Length	5.47	138.9
Case Width	1.81	46.0
Case Height	1.11	28.2
Mounting Length	5.67	144.0
Mounting Width	1.08	27.4
Overall Length	5.93	148.25

### Wire Diagram



### Product Data

Input and output use lead-wires.

Lead-wires are 18AWG 105C/600V solid copper per UL1452.

Lead Length outside enclosure: 270 mm (±30mm) on all wires.

Dimming	Dimming Range	Minimum Output Current (A)	Other Comments
0-10V Analog Class 2 Wiring	10% ~ 100%	0.105	Dimming source current: 150 µA

Input Voltage (Vac)	Output Power (W)	Output Voltage Range (V)	Output Current (A)	Efficiency@ Max Load and 70°C Case	Max Case Temp. (°C)	Input Current (Arms)	Max. Input Power (W)	Inrush Current (Apk/ 50%-µs)	THD @ Max Load (%)	Power Factor @ Max Load	Surge Protection Common/ Diff (KV)	Weight (Lbs/ kgs)	Envir. Protection Rating
120	44	14 - 42	1.05	85	80°C	0.46	56	25 / 100	<8%	>0.95	4/4	1.0/ 0.45	UL damp and dry
277				88		0.21		65 / 100	<12%				



# PHILIPS ADVANCE

## XITANIUM LED DRIVER

### SPEC SHEET

#### Electrical Specifications

All the specifications are typical and at 25°C Tcase unless specified otherwise.

<b>Ordering Information</b>	
Order code	XI040C105V042CNJ1
Full product code	XI040C105V042CNJ1M (Mid-Pack, 12pcs/Box)
Full product name	XITANIUM 40W 1.05A 0-10V INT-J
<b>Input Information</b>	
Line Voltage	120-277Vac_rms
Line Current	0.46A @ 120V, 0.21A @ 277V
Line Frequency	50/60Hz
Min. Mains voltage operational	108 V [min]
Max. Mains voltage operational	305V [max]
THD (total)	Refer to graph
Power Factor (PF)	Refer to graph
Inrush Current	Per NEMA 410
Lightning Surge Protection	Refer to table below
<b>Output Information</b>	
Output voltage range	14V to 42Vdc
Maximum open circuit voltage	44V
Output Current Ripple (ripple = peak to average / average)	10% max @ max lout Low frequency ( $\leq 120$ Hz) content <5%
Protections	Short Circuit and Open Circuit Protection for LED + and LED-
Ambient Temp Range	-40°C to +55°C
Max Case Temperature (Tcase)	80°C
<b>Features</b>	
Interfaces	0-10V Dimming
AOC (Adjustable Output Current)	N/A
MTP (Module Temperature Protection)	N/A
0-10V Dimming Specifications	150 $\mu$ A source current from driver, See dim curve for detail.
<b>Environment &amp; Approbation</b>	
Environmental Protection Rating	UL damp and dry
Agency Approbations	UL8750, ULI310, UL935, CSA-C22.2 No. 250.13-12, CSA C22.2 No. 223
Electromagnetic Compliance	FCC Title 47 Part 15 Class A
Isolation	Refer to table
Audible noise	<24dB Class A

# PHILIPS ADVANCE XITANIUM LED DRIVER SPEC SHEET

## Electrical Specifications

All the specifications are typical and at 25°C Tcase unless specified otherwise.

### 0-10V Dimming Curve:

Dimming source current from the driver: 150µA (@ 0<Vdim<8V)

LED Current Tolerance at I050mA ≤ 5% over temperature and component variations and ≤ 10% at any dim level.

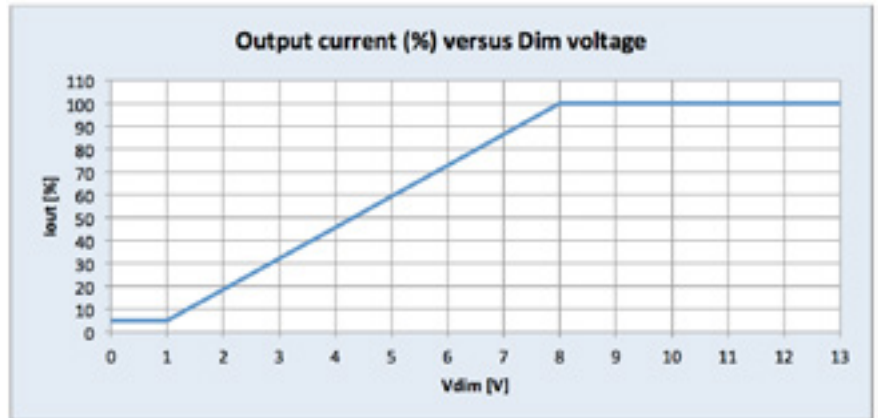
Minimum Dim Level: 10% of Iout (minimum I05mA)

Maximum output voltage on the dimming wires: 13V

## Approved Dimmer List

Manufacturer	Manufacturer Part Number
Lutron	Visit <a href="http://www.lutron.com/advance">www.lutron.com/advance</a> for a list of dimmers (Mark VII) that will work with this driver
Leviton	IllumaTech IP7 series
Philips	Sunrise - SR1200ZTUNV

For compatibility with other dimmers please contact the dimmer manufacturer.

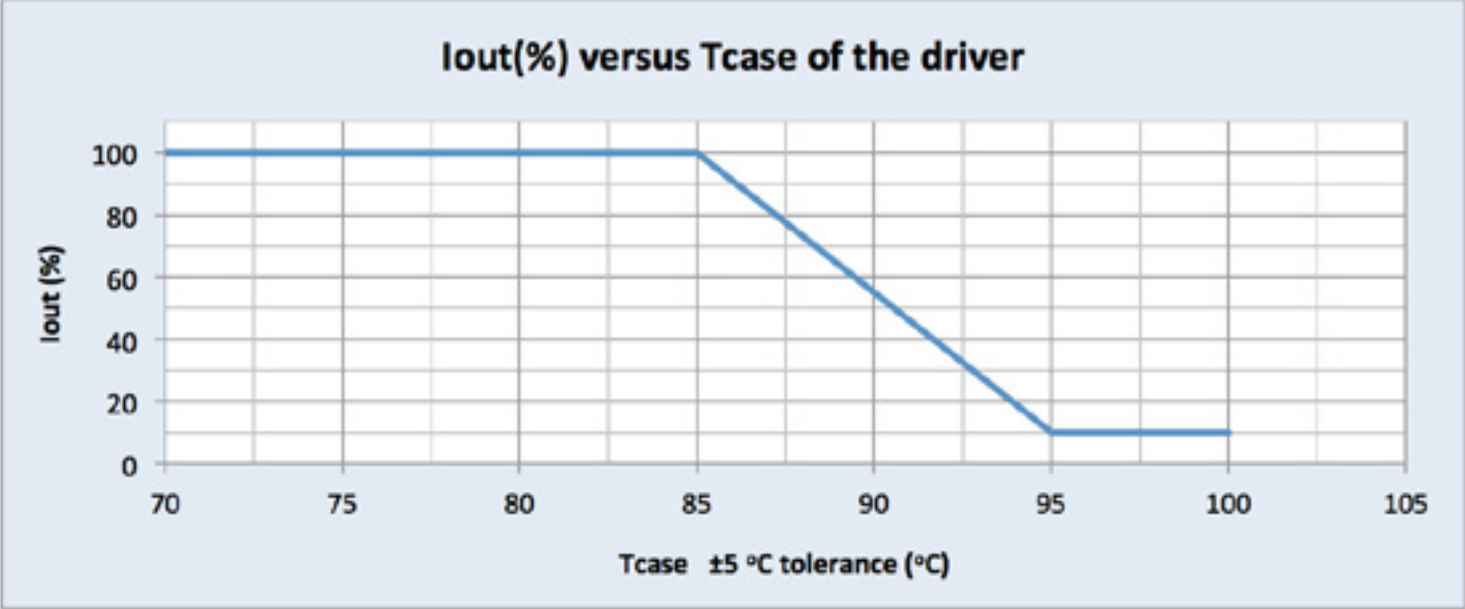


# PHILIPS ADVANCE XITANIUM LED DRIVER SPEC SHEET

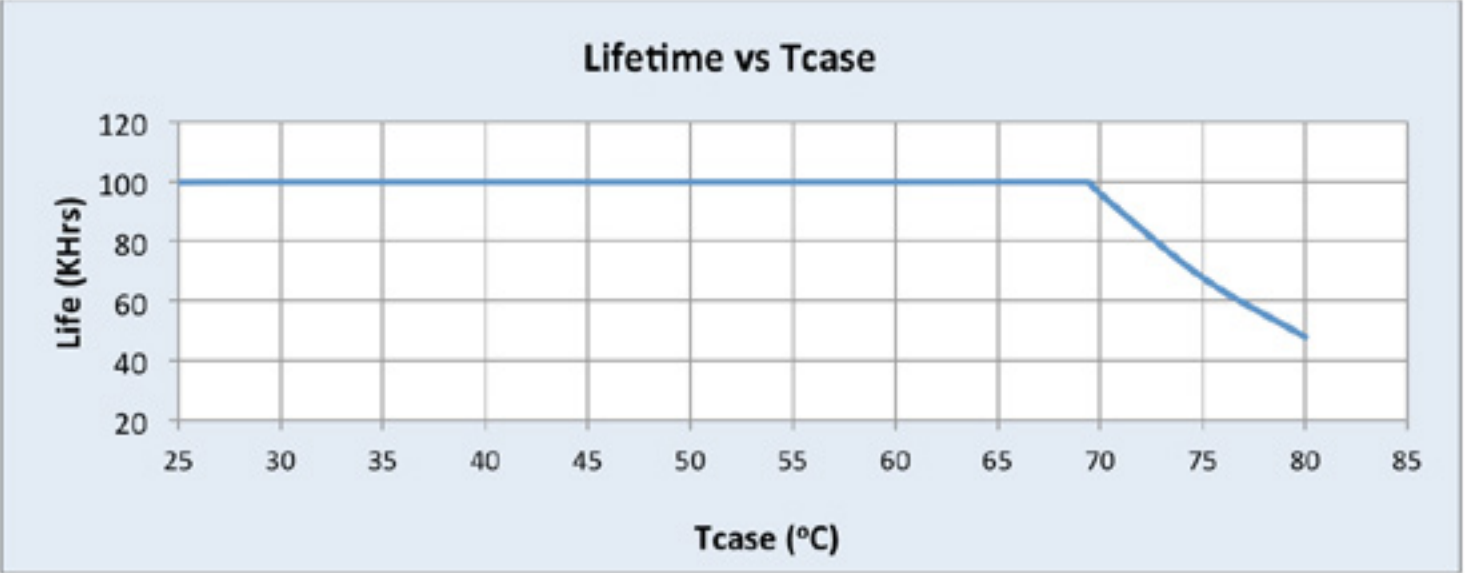
### Electrical Specifications

All the specifications are typical and at 25°C Tcase unless specified otherwise.

### Iout vs. Tcase of Driver:



### Lifetime vs. Tcase of Driver:

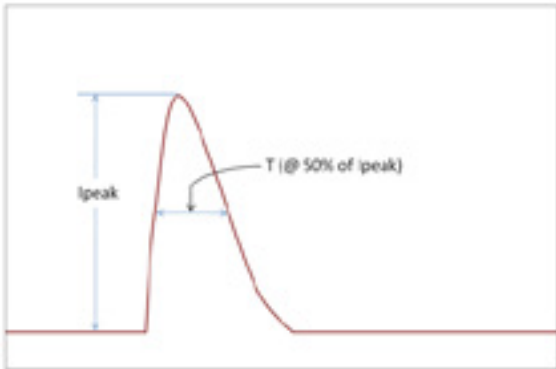


# PHILIPS ADVANCE XITANIUM LED DRIVER SPEC SHEET

## Electrical Specifications

All the specifications are typical and at 25°C Tcase unless specified otherwise.

### Inrush Current Info:



Vin	Ipeak	T (@ 50% of Ipeak)
120 Vrms	25 A	100 $\mu$ s
277 Vrms	65 A	100 $\mu$ s

Inrush current is measured at peak of the corresponding line voltage, source impedance per NEMA 410.

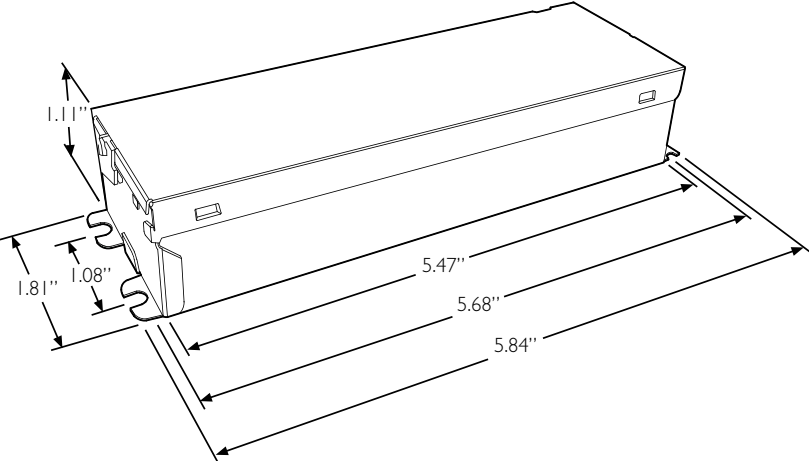
### Lightning Surge Info:

ANSI Surge Type	Differential Mode (L-N)	Common Mode (L-G, N-G, L&N-G)
100 kHz Ring Wave (w/t 30 $\Omega$ )	6kV	6kV
1.2/50 $\mu$ s - 8/20 $\mu$ s Combination Wave (w/t 2 $\Omega$ )	4kV	4kV

**PHILIPS ADVANCE**  
XITANIUM LED DRIVER  
SPEC SHEET

**Mechanical Specifications**

**Mechanical Drawing:**

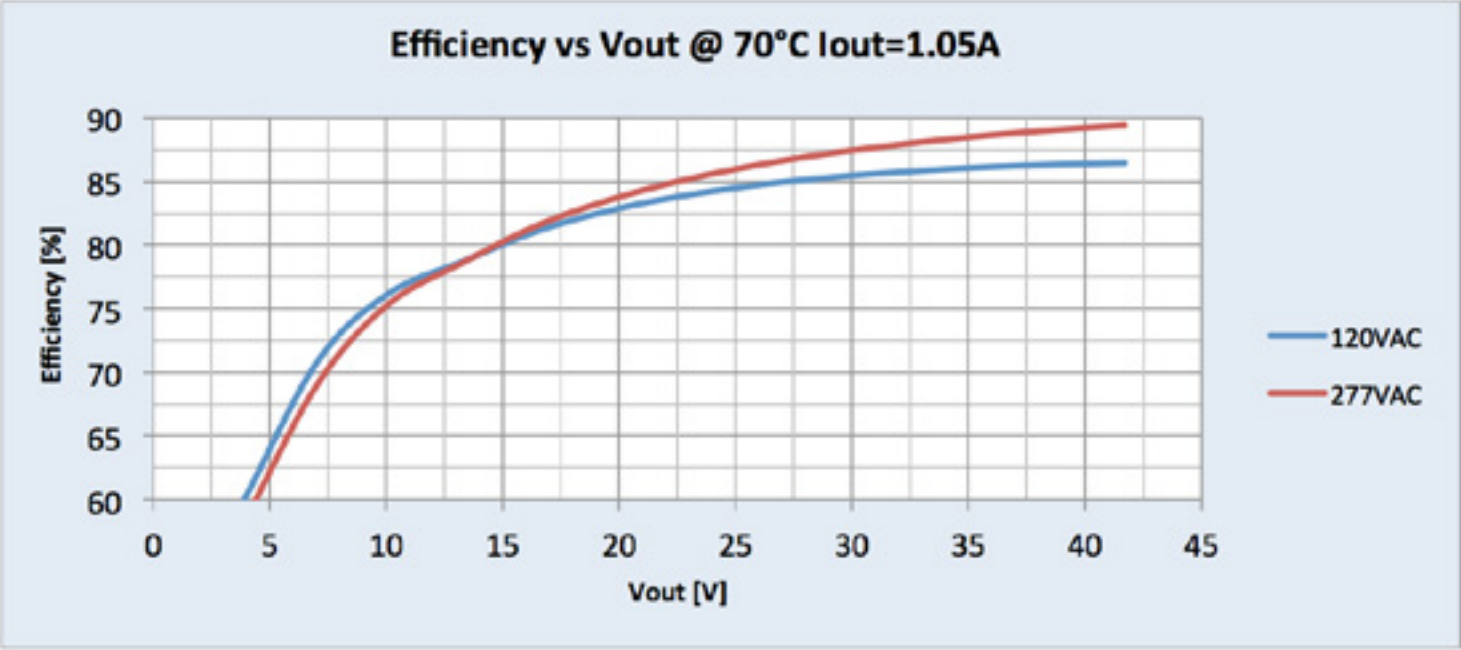
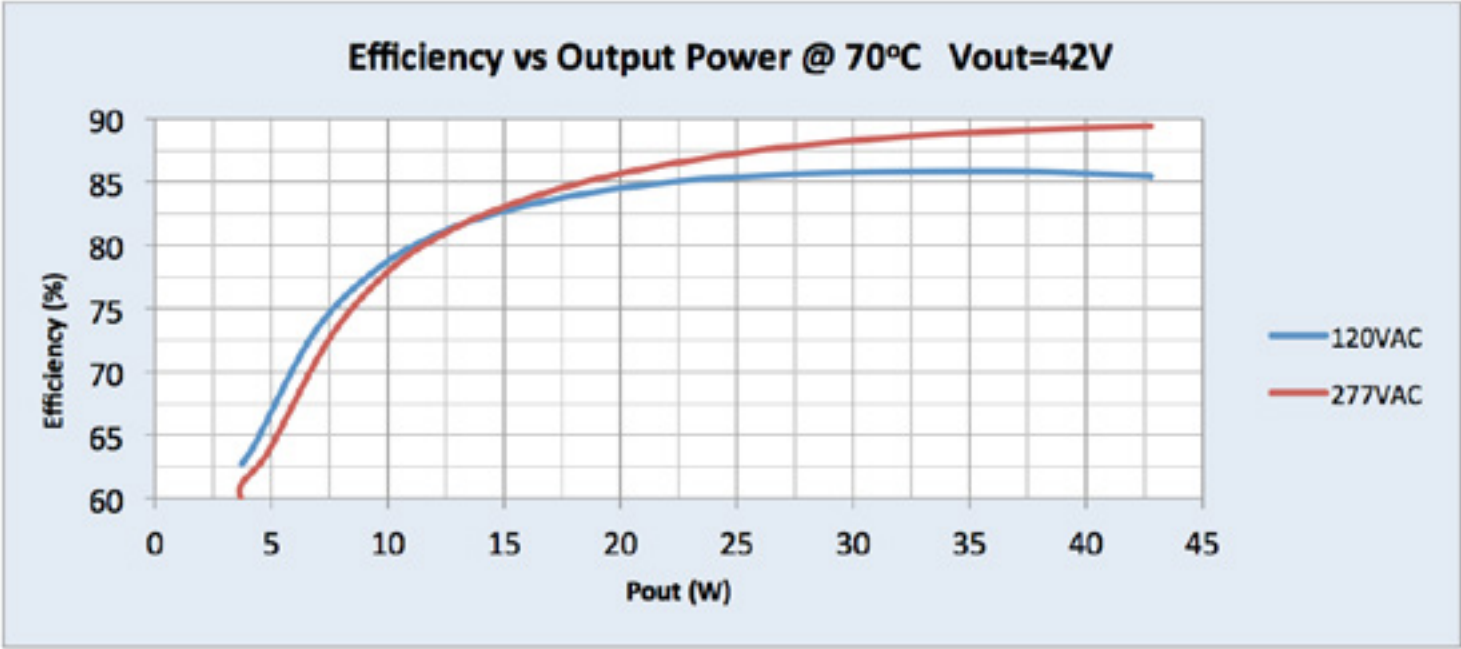


J-CAN

# PHILIPS ADVANCE XITANIUM LED DRIVER SPEC SHEET

## Performance Characteristics

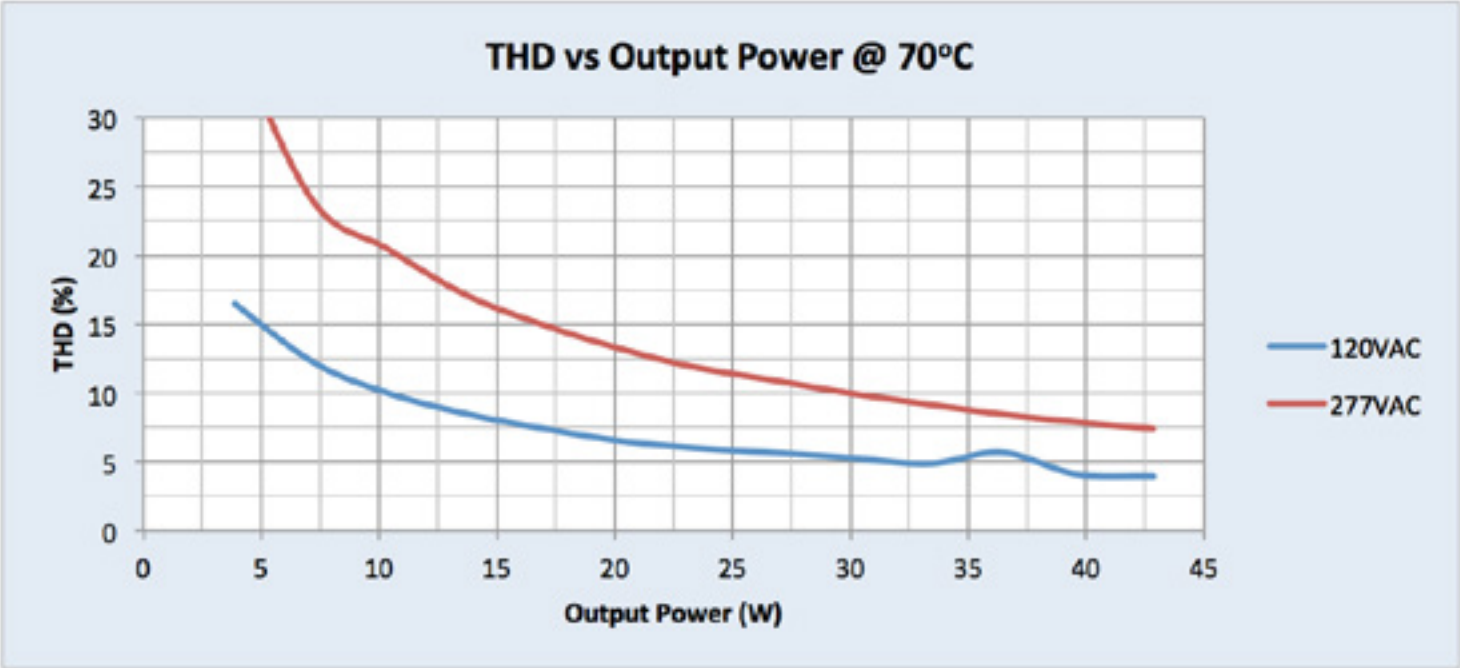
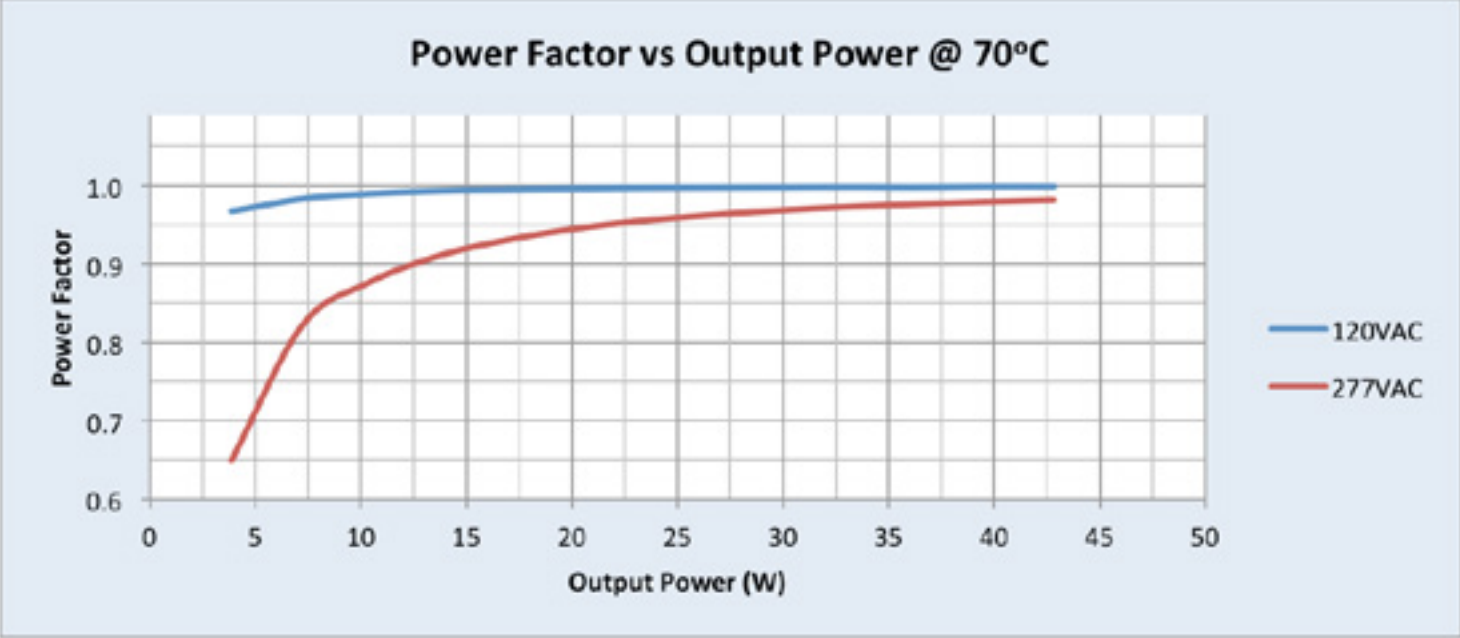
Based on measurements on a typical sample. The accuracy of the measurements is within the tolerance of the measurement instruments. The graphs are meant to be a guideline and not a specification.



# PHILIPS ADVANCE XITANIUM LED DRIVER SPEC SHEET

## Performance Characteristics

Based on measurements on a typical sample. The accuracy of the measurements is within the tolerance of the measurement instruments. The graphs are meant to be a guideline and not a specification.





# PHILIPS ADVANCE XITANIUM LED DRIVER SPEC SHEET

## Application Notes

### Isolation:

Isolation	Input	Output	0-10V (Class 2)	Enclosure
Input	Not applicable	2xU+1KV	2.5KVac	2xU+1KV
Output	2xU+1KV	Not applicable	Not applicable	500V
0-10V (Class 2)	2.5KVac	Not applicable	Not applicable	500V
Enclosure	2xU+1KV	500V	500V	Not applicable

### UL Conditions of Acceptability:

Please contact your Philips Lighting sales representative for a copy of the latest UL Conditions Of Acceptability (COA).



© 2014 Koninklijke Philips N.V.  
All rights reserved.  
Specifications are subject to change without notice.

PAd-1407DS 01/14

Philips Lighting  
North America Corporation  
10275 W. Higgins Road  
Rosemont, IL 60018  
Tel: 800-322-2086  
Fax: 888-423-1882  
Customer Support/Customer  
Care: 800-372-3331

Philips Lighting Company  
281 Hillmount Road  
Markham ON, Canada L6C 2S3  
Phone: 800-668-9008