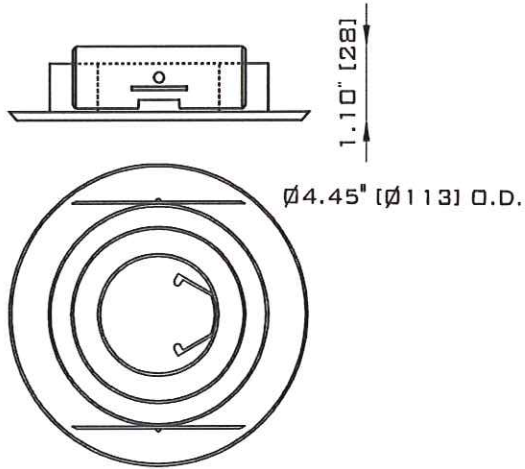
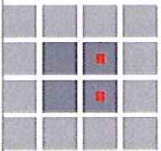


X3503



3.622" [92MM]
CUTOUT HOLE



TRIM

- (-01) GLOSSY WHITE
- (-11) MATTE WHITE
- (-13) SATIN NICKEL


GIMBAL


ADJUSTABLE

LIGHT SOURCE

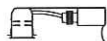
-  LED GU10 - 120V - 2W MAX.
EQUIVALENT LIGHTING EFFECT OF A 35W GU10  GU10 / GZ10 - 50W MAX. 120V
38° AND 60° BEAM AVAILABLE.
-  LED MR16 - 12V - 5W MAX.
EQUIVALENT LIGHTING EFFECT OF A 40W MR16  MR16 - 12V - 50W MAX.
38° AND 60° BEAM AVAILABLE.

HOUSINGS

MR16 · 12V 

GU10 GZ10 

REMODELING



XR35MR16M

XR35GU

NEW CONSTRUCTION



XN35MR16M

XN35GU

INSULATED



XIC35MR16M

XIC35GU