

WTD-L

OUTDOOR DECORATIVE LED WALL PACK

14W

cULus listed
Suitable for wet locations



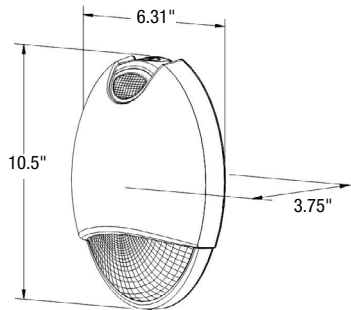
DESCRIPTION

The WTD-L is a decorative outdoor LED wall luminaire. Its modern design made of sturdy die cast aluminum is a great combination of aesthetics and durability. The highly efficient LEDs maximize the lumen output while minimizing wattage consumption. The WTD-L is intended for use in commercial or residential areas. Typical applications include general lighting of parking areas, parks, underground pathways, hotels and entry-ways. Wall mount directly over an octagon box or use with surface conduit.

TECHNICAL SPECIFICATIONS

- Die cast aluminum housing and polycarbonate lens
- Integrated photocell
 - Easily select photocell mode or wall switch mode
- Available in bronze, black and white
- Input voltage: 120V AC
- High quality, long life LEDs. Estimated lifespan of 50 000 hours
- 5000K colour temperature

DIMENSIONS



LUMEN AND SPECIFICATION CHART

General specifications			50K				Lumen maintenance			
LED package	Voltage	System wattage	Delivered lumens	lm/W	PF	THD	BUG	Reported L70 40K	Calculated TM21 40K	LM 80 at (Hrs)
S1	120V	14	1192	85.1	0.99	8.40%	021	>33,000	50,000	6,000

ORDERING GUIDE

Series	Lamp type	LED package	Voltage	Colour temperature	Options	Casting colour
WTD	L - LED	S1 - Refer to lumen and specification chart	A - 120V	50K - 5000K	P - 120V photocell (standard)	BZ - Bronze BK - Black WH - White

* For silver colour, please refer to WTD-L0014 series