

2', 3', 4', 6', or 8'
1 or 2 Lamp
T8 or T12

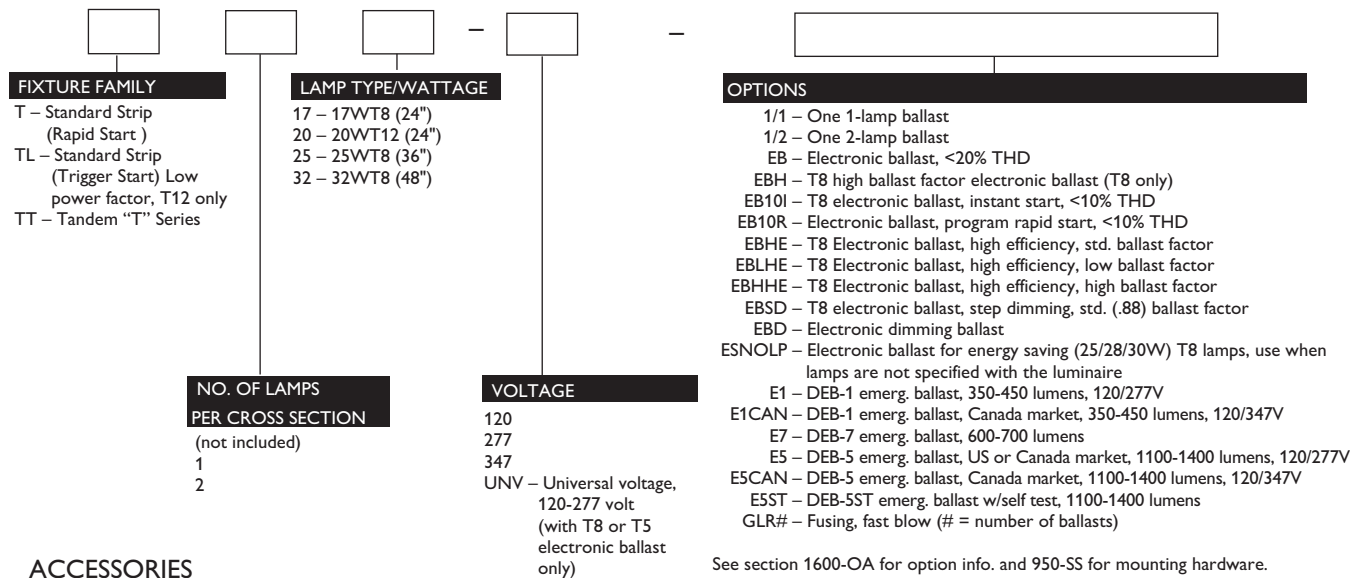
CONSTRUCTION/FINISH

- Luminaires suitable for unit, row, surface, or suspension mounting.
- Multiple knockouts for convenient installation.
- Heavy duty channel of code gauge die formed steel.
- High reflectance white baked enamel finish.
- Quarter turn latch secures channel cover for easy wireway access.
- See sheet 1119-S for strip reflectors.

ELECTRICAL

- cULus listed for direct mounting on low density ceilings and damp locations.
- Self-contained fluorescent emergency power packs can be incorporated, listed for dry locations.
- Green grounding screw installed in channel.
- Lampholders may be individually replaced or rewired.

CATALOG NUMBER



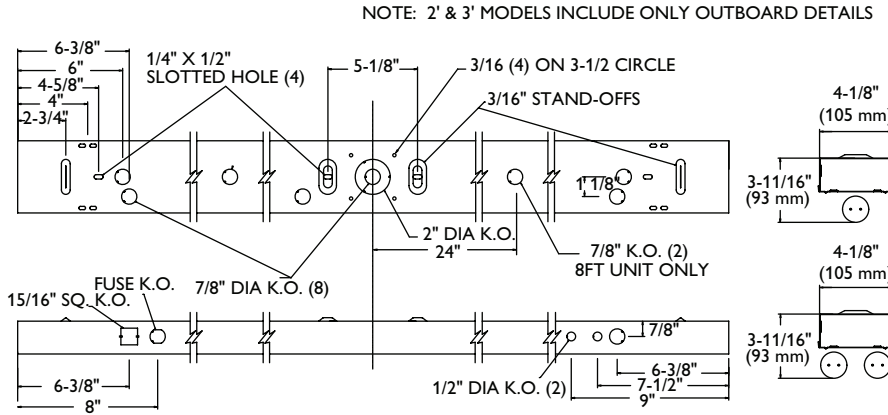
ACCESSORIES

- reflectors** – see sheet 1119-S
- 5988W/5977W** – Hyde hangers (4' models)
 - CG-2** – 2' wire guard for strip w/out reflector
 - CG-3** – 3' wire guard for strip w/out reflector
 - CG-4** – 4' wire guard for strip w/out reflector
 - C-173** – 4' wire guard for strip w/symmetrical reflector
- CS-400** – Rigid stem canopy
- CS-500** – Swivel stem canopy
- CS series stems**
 - CTBH-1** – T-bar sliding hanger, flush mounting
 - CTBH-2** – T-bar sliding hanger, 1-1/2" spacing
 - FKR-126** – Chain hanger set
 - TH-1** – Sliding hanger, flush mounting
 - TH-2** – Sliding hanger, 1-1/2" spacing
 - TC-1** – Heavy duty coupler

JOB INFORMATION



DIMENSIONS



DIM "A"	Inches	(mm)
2' CHANNEL	24"	(610 mm)
3' CHANNEL	36"	(914 mm)
4' CHANNEL	48"	(1219 mm)
6' CHANNEL	72"	(1829 mm)
8' CHANNEL	96"	(2438 mm)

NOTES:
1.) 2" K.O. In center of channel is not present in 2' or 3' channel.

PHOTOMETRIC DATA

CATALOG # T232-1/2-EB LAMPS = F32T8 INPUT WATTS = 61 LER = FS-78
 TEST # 14719 S/MH=1.6 BALLAST = ELECTRONIC BALLAST FACTOR = .88 TER = 41
 FIXTURE EFFICIENCY= 93.3%

COMPARATIVE YEARLY LIGHTING ENERGY COST PER 1000 LUMENS = \$3.08 BASED ON 3000 HRS. AND \$.08 PER KWH.

CANDLEPOWER			
Angle	End	45	Cross
0	1019	1019	1019
5	1015	1018	1019
15	976	1009	1034
25	901	990	1059
35	793	958	1059
45	656	898	1019
55	494	800	956
65	320	688	911
75	154	590	718
85	28	308	432
95	2	325	452
105	3	305	512
115	2	230	379
125	2	160	334
135	6	104	236
145	6	46	133
155	7	5	42
165	8	6	6
175	9	5	6

MAINTAINED ILLUMINATION TABLE- Square Feet/ Fixture*						
■ 80-50-20 Reflectances (Ceiling-Wall-Floor) ■ LLF = 0.75 2900 Lumens/Lamp Clean ■ Room width divided by room height = 5 or more, 2 or 1						
Fixture Size & # of Lamps	Room Width Room Height =	Approx. Area (sq. ft.) per Fixture				
		10 ft-c	30 ft-c	50 ft-c	70 ft-c	100 ft-c
2-Lamp 32 watt	5	-	130	78	56	39
	2	-	84	50	36	-
	1	-	59	36	-	-

*Observe Fixture S/MH Requirements for Specific Applications

AVERAGE LUMINANCE CD/SQ.M WITH 2900 LUMEN LAMPS			
ANGLE	END	45°	CROSS
45	6257	6389	6686
55	5693	6243	6738
65	4843	6152	7171
75	3551	6404	6627
85	1448	4423	5003

TYPICAL V.C.P.'s				
Room Size	Mounting Height		Crosswise	
	Lengthwise	8.5	10	8.5
30x30	22	27	16	20
40x40	19	22	14	17
60x30	23	26	19	23
60x60	17	19	13	14
100x100	17	18	12	13

COEFFICIENT OF UTILIZATION						
pfc pcc pw RCR	20		70		50	
	70	50	30	70	50	30
0	107	107	107	102	102	93
1	94	89	83	90	84	78
2	84	76	68	80	72	66
3	77	66	56	71	63	55
4	69	56	48	66	55	46
5	64	51	41	59	48	40
6	57	45	36	55	42	34
7	54	40	32	51	39	30
8	50	36	28	46	35	28
9	46	34	26	44	32	25
10	44	30	23	40	29	23

LIGHT DISTRIBUTION			
DEGREES	LUMENS	% LAMP	% FIXTURE
0-30	839	14.5	15.5
0-40	1429	24.6	26.4
0-60	2793	48.1	51.6
0-90	4316	74.4	79.8
90-180	1094	18.9	20.2
0-180	5410	93.3	100.0

LLF = .75 LLF = LIGHT LOSS FACTOR LLF = LDD X LLD X BF LDD = VERY CLEAN 0.94 CLEAN 0.90
 LLD = 0.91 @ 40% RATED LAMP LIFE BF = 0.88 ELECTRONIC BALLAST & T8 LAMP (RELAMP AT 70% LAMP LIFE)



Some luminaires use fluorescent or high intensity discharge (HID) lamps that contain small amounts of mercury. Such lamps are labeled, "Contain Mercury" and/or the symbol "HG". Lamps that contain mercury must be disposed of in accordance with local requirements. Information regarding lamp recycling and disposal can be found at www.lamprecycle.org



© 2014 Koninklijke Philips N.V. All rights reserved.
 Specifications are subject to change without notice.
www.philips.com/luminaires

Philips Lighting
 North America Corporation
 200 Franklin Square Drive
 Somerset, NJ 08873
 Phone: 855-486-2216

Philips Lighting Company
 281 Hillmount Road
 Markham ON, Canada L6C 2S3
 Phone: 800-668-9008