

LED FIXTURE

SSL Series



LED Linear High Bay SSL-LHB3

Offering quality lighting and excellent energy savings compared to linear fluorescent and HID high bay fixtures.



Features & Benefits

cUL listed, DLC Premium

Available with lumen outputs from 11,475 to 34,425 lumens

System light efficacy ≥ 130 lm/W

120-347V Auto-sensing driver

0-10V dimming, product can dim down to 10%

Damp location rated, L70@ 100,000Hrs

CRI >80

Formed steel housing with white powder coat finish/ Frosted lens

120° Beam spread

10' White Cord, 10' Aircraft Cable (set)

Equipped with 12V receptacle, for Microwave Motion Sensor option

Warranty

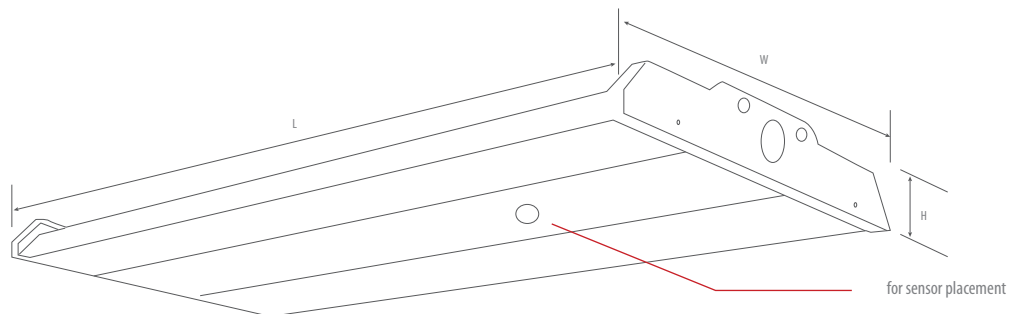
5-year limited warranty in commercial use from the date of purchase

Operating temperature range between -20°C and +50°C

Applications

Warehouse, Factory, Convention Center, Gymnasium etc.

Dimensional drawing



	L	W	H
85W,130W,170W	24.8"	15"	2"
255W	46.5"	18.90"	2"

LED Linear High Bay

SSL-LHB3

Ordering Information Example: SSL-LHB3/85W/40/120-347V/AC/D

Family Name	Fixture Type	Wattage	CCT	Voltage (V)	Mounting	Dimmable	Option
SSL (Solid State Lighting)	LHB3 (Linear High Bay)	85W 130W 170W 255W	40 (4000K) 50 (5000K)	120-347V	AC (Aircraft Cable 10' set)	D (Dimmable)	12V Microwave Sensor (Field Install)

Product Specification

Ordering Code	DLC (Premium)	Model Number	Wattage (W)	Input Voltage (V)	Hour Rating	Initial Delivered Lumens (lumen)	CCT (K)	CRI	Dimension L×W×H(inch)	Case QTY.	
3666307	Y	SSL-LHB3/85W/40/120-347V/AC/D	85	120-347V	100,000	11475	4000	>80	24.8" x 15" x 2"	1	
3666308	Y	SSL-LHB3/85W/50/120-347V/AC/D	85	120-347V	100,000	11560	5000	>80	24.8" x 15" x 2"	1	
3667300	Y	SSL-LHB3/130W/40/120-347V/AC/D	130	120-347V	100,000	17550	4000	>80	24.8" x 15" x 2"	1	
3667301	Y	SSL-LHB3/130W/50/120-347V/AC/D	130	120-347V	100,000	17680	5000	>80	24.8" x 15" x 2"	1	
3667302	Y	SSL-LHB3/170W/40/120-347V/AC/D	170	120-347V	100,000	22950	4000	>80	24.8" x 15" x 2"	1	
3667303	Y	SSL-LHB3/170W/50/120-347V/AC/D	170	120-347V	100,000	23120	5000	>80	24.8" x 15" x 2"	1	
3668301	Y	SSL-LHB3/255W/40/120-347V/AC/D	255	120-347V	100,000	34425	4000	>80	46.5" x 18.9" x 2"	1	
3668302	Y	SSL-LHB3/255W/50/120-347V/AC/D	255	120-347V	100,000	34680	5000	>80	46.5" x 18.9" x 2"	1	
3660090		SSL-LHB2/MWG	Medium wire guard (for 90W, 135W, 175W LHB2 & 85W, 130W, 170W LHB3)							25" x 15"	1
3660142		SSL-LHB3/SWG	Large wire guard for 255W							47" x 15.5"	1
3660145		SSL-LHB3/LV/12V/SENSOR	12V DC Microwave Motion Sensor								
3660146		SSL-LHB3/LV/12V/CONTROLLER	12V DC Microwave Motion Sensor Remote Control(required for programming)								



Sensor Specifications	
Input voltage	12V DC
Power Consumption	0.1W
Dimming	0-10V
Mounting height	40ft Max.
Detection range	100ft Max.
Op. temperature	-30°F~131°F (-30°C~55°C)
IP rate	IP65
Mode setting	A, B, C, D, E
Dimming level setting	10%, 20%, 30%, 50%, 60%, 70%, 80%, 100%
Delay time setting	10s, 1min, 5min, 10min, 30min
Certification	UL
Warranty	Five year warranty

