



# PAR38 LED with AirFlux Technology

19.5PAR38/END/3000/S15 DIM 6/1

Philips PAR38 Dimmable LED Lamps with AirFlux Technology provide optimal thermal efficiency in a sleek, lightweight design.

## Product data

### • General Characteristics

Cap-Base	E26
Bulb	PAR38 [PAR38 mm]
Rated Avg. Life (Hours)	45000 hr
Rated Lifetime (years)	41.1 an

### • Light Technical Characteristics

Color Code	WH
Color Designation	White
Beam Angle	15 D
Beam Description	- [-]
Correlated Color Temperature	3000 K
Approx. MBCP	10000 cd
CRI	80
Color Temp. (Kelvin)	3000 K [CCT 3000K]
Rated Luminous Flux	1200 Lm

### • Electrical Characteristics

Wattage	19.5 W
Wattage Technical	19.5 W
Voltage	120 V
Power Factor	0.72 -

Lamp Current mA	250 mA
Dimmable	Yes
Wattage Equivalent	75 W

### • Measuring Conditions

Switching cycle	20000x
-----------------	--------

### • Product Dimensions

Overall Length C	128.65 mm
Overall Length C [inch]	5.065 (max) in
Diameter D	121.3 mm

### • Product Data

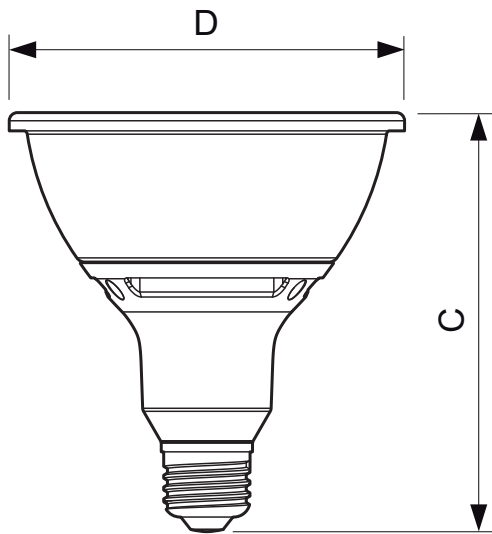
Product number	425470
Full product name	19.5PAR38/END/3000/S15 DIM 6/1
Short product name	19.5PAR38/END/3000/S15 DIM 6/1
Pieces per Sku	1
eop_pck_cfg	6
Skus/Case	6
Bar code on pack	46677425470
Bar code on case	50046677425475
Logistics code(s)	929000231404
eop_net_weight_pp	0.370 kg

## Dimensional drawing



# PHILIPS

## Dimensional drawing



E26

### 19.5PAR38/END/3000/S15 DIM 6/1

Product	C (Norm)	C1 (Max)	D (Norm)	D1 (Norm)
LED 19.5W E26 3000K 120V PAR38 15D DIM	128.65	5.065	121.3	4.776



© 2013 Koninklijke Philips Electronics N.V.  
All rights reserved.

Specifications are subject to change without notice. Trademarks are the property of Koninklijke Philips Electronics N.V. or their respective owners.

[www.philips.com/lighting](http://www.philips.com/lighting)

2013, June 3  
data subject to change