



# PAR38 LED

## 17PAR38/F35 2700 DIM AF SO

Philips PAR38 LED Single Optic Lamps with AirFlux Technology improves shopping experience with superior lighting aesthetics and optimal thermal efficiency in a sleek, lightweight design.

### Product data

| General Information                   |                                    |
|---------------------------------------|------------------------------------|
| Base                                  | E26 [ Single Contact Medium Screw] |
| Nominal Lifetime (Nom)                | 25000 h                            |
| Switching Cycle                       | 50000X                             |
| Technical Type                        | 17-120W                            |
| Light Technical                       |                                    |
| Color Code                            | 827 [ CCT of 2700K]                |
| Beam Angle (Nom)                      | 35 °                               |
| Initial lumen (Nom)                   | 1200 lm                            |
| Luminous Flux (Rated) (Nom)           | 1200 lm                            |
| Luminous Intensity (Nom)              | 3200 cd                            |
| Color Designation                     | Warm White (WW)                    |
| Rated Beam Angle                      | 35 °                               |
| Correlated Color Temperature (Nom)    | 2700 K                             |
| Luminous Efficacy (rated) (Nom)       | 71 lm/W                            |
| Color Consistency                     | <6                                 |
| Color Rendering Index (Nom)           | 80                                 |
| LLMF At End Of Nominal Lifetime (Nom) | 70 %                               |
| Operating and Electrical              |                                    |
| Input Frequency                       | 60 Hz                              |
| Power (Rated) (Nom)                   | 17 W                               |
| Lamp Current (Nom)                    | 167 mA                             |

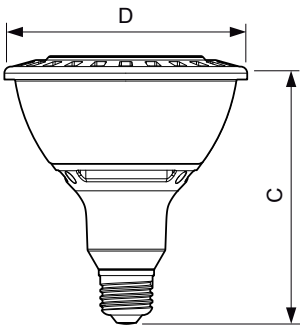
| Starting Time (Nom)             | 0.5 s                                 |
|---------------------------------|---------------------------------------|
| Warm Up Time to 60% Light (Nom) | 0.5 s                                 |
| Power Factor (Nom)              | 0.85                                  |
| Voltage (Nom)                   | 120 V                                 |
| Temperature                     |                                       |
| T-Case Maximum (Nom)            | 89 °C                                 |
| Controls and Dimming            |                                       |
| Dimmable                        | Yes                                   |
| Approval and Application        |                                       |
| Energy Efficiency Label (EEL)   | Not applicable                        |
| Suitable For Accent Lighting    | Yes                                   |
| Product Data                    |                                       |
| Order product name              | 120V PAR38 17W 35D 2700K 1200 D AF SO |
| EAN/UPC - Product               | 046677435417                          |
| Order code                      | 435412                                |
| Numerator - Quantity Per Pack   | 1                                     |
| Numerator - Packs per outer box | 6                                     |
| Material Nr. (12NC)             | 929001113704                          |
| Net Weight (Piece)              | 0.001 kg                              |

# PAR38 LED

## Warnings and Safety

- Suitable for use in damp locations.
- Not for use in totally enclosed luminaires.
- CAUTION: Risk of electric shock - do not use where directly exposed to water.
- NOTES: This device complies with Part 18 of the FCC rule. This product may cause interference with other devices. If interference occurs, change the location of the products involved. This RFLD device complies with Canadian ICES-005

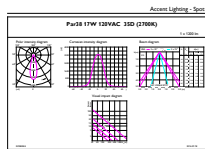
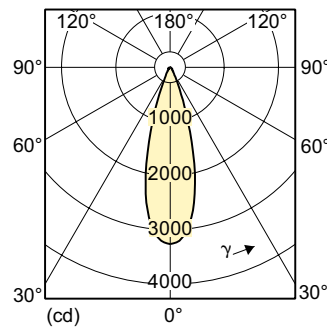
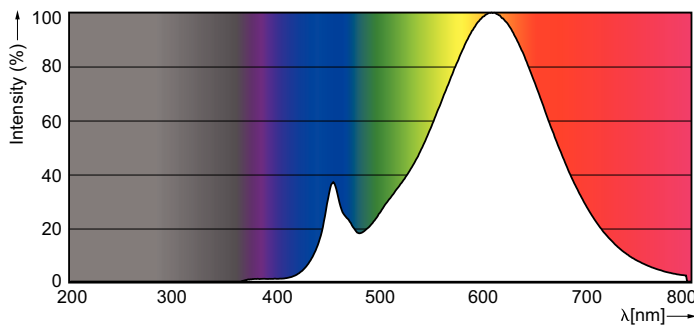
## Dimensional drawing



| Product                               | D        | C        |
|---------------------------------------|----------|----------|
| 120V PAR38 17W 35D 2700K 1200 D AF SO | 120.3 mm | 130.5 mm |

Par38 CL 120V 17W-120W 36D 2700K E26 D

## Photometric data



## LEDspot, PAR38 12W 2700K 36D