

ORDERING INFORMATION

Order code: 31277
 Description: E213338-277-347-TDE FLX
 UPC: 69549312777

SPECIFICATIONS



Ballast type: Electronic
 Starting method: Program Start
 Lamp connection: Series
 Input voltage (V): 347 V
 Input frequency (Hz): 50/60 HZ
 Max. case temperature: 75 °C
 Thermal protection: Class P
 Type: 1 Outdoor
 Contains PCBs: No
 Sound rating: A
 Open current voltage (OCV) (V): 550
 Inherent thermal protection: Yes
 Lamp protection circuit: Yes
 ICES-005 Compliant: Class A RFLD



Lamp Type:	Number of lamps	Rated lamp watts	Min. start temp. (°F / °C)	Input current (A)	Input power (ANSI watts)	Ballast factor	Max THD (%)	Power factor	Max. lamp current crest factor	B.E.F.
347 VOLTS										
PL18/TTT (18W)	2	18	-4/-20	0.11	40	1.10	10	0.98	1.7	2.75
PL13/TTT (13W)	2	13	-4/-20	0.09	34	1.30	15	0.98	1.7	3.82
PL18/DTT (18W)	2	18	-4/-20	0.11	41	1.12	10	0.98	1.7	2.73
PL13/DTT (13W)	2	13	-4/-20	0.09	35	0.81	15	0.98	1.7	2.31
PL13/TTL (13W)	2	13	-4/-20	0.08	33	0.79	15	0.98	1.7	2.39
2D (16W)	2	16	-4/-20	0.10	38	0.92	15	0.98	1.7	2.42
PL26/TTT (26W)	1	26	-4/-20	0.08	29	1.10	15	0.98	1.7	3.79
PL18/TTT (18W)	1	18	-4/-20	0.06	21	1.29	20	0.97	1.7	6.14
PL13/TTT (13W)	1	13	-4/-20	0.05	19	1.47	25	0.96	1.7	7.74
PL26/DTT (26W)	1	26	-4/-20	0.08	28	1.10	15	0.98	1.7	3.93
PL18/DTT (18W)	1	18	-4/-20	0.06	22	1.33	20	0.97	1.7	6.05
PL13/DTT (13W)	1	13	-4/-20	0.05	19	1.22	25	0.96	1.7	6.42
PL13/TTL (13W)	1	13	-4/-20	0.04	17	1.19	25	0.96	1.7	7.00
2D (28W)	1	28	-4/-20	0.08	29	0.75	15	0.98	1.7	2.59
2D (21W)	1	21	-4/-20	0.05	20	0.77	20	0.97	1.7	3.85
2D (16W)	1	16	-4/-20	0.06	21	0.98	20	0.97	1.7	4.67
FC9T5 (22W)	1	22	-4/-20	0.05	20	1.08	20	0.97	1.7	5.40

This lighting equipment complies with Canadian standard ICES-005; for use in commercial applications.

WARRANTY:

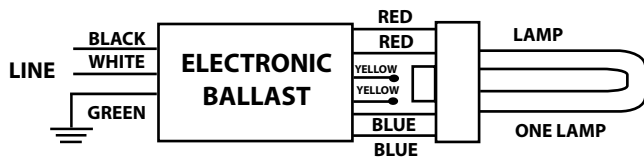
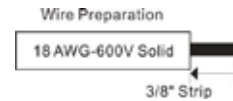
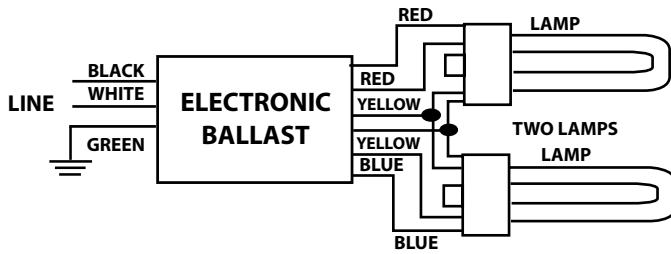
Ballast warranty of 5 years for electronic ballast 70-75 °C. Ballast warranty of 3 years for electronic ballast 90 °C. For more information visit our website.

Data is based upon tests performed in a controlled environment and representative of relative performance. Actual performance can vary depending on operating conditions. Specifications are subject to change without notice.
 March 30, 2015

ORDERING INFORMATION

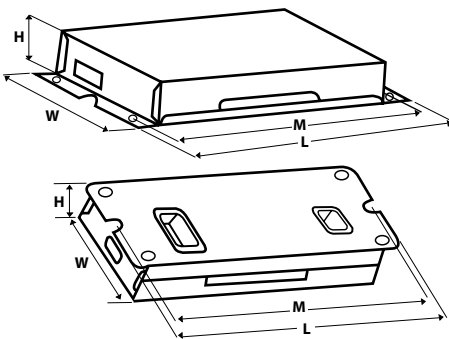
Order code: 31277
 Description: E213338-277-347-TDE FLX
 UPC: 69549312777

WIRING DIAGRAM



BALLAST DIMENSIONS

Length (L):	4.90" (12.5 cm)
Width (W):	2.50" (6.4 cm)
Height (H):	1.14" (2.9 cm)
Mounting (M):	4.48" (11.4 cm)



This lighting equipment complies with Canadian standard ICES-005; for use in commercial applications.

WARRANTY:

Ballast warranty of 5 years for electronic ballast 70-75 °C. Ballast warranty of 3 years for electronic ballast 90 °C. For more information visit our website.

Data is based upon tests performed in a controlled environment and representative of relative performance. Actual performance can vary depending on operating conditions. Specifications are subject to change without notice.
 March 30, 2015