

Date: _____
Type: _____
Firm Name: _____
Project: _____

Blast gen4 Half Glare Shield

Black Finish

ACCESSORY

Customizable and durable accessory designed for all Blast gen4 luminaires

Blast Powercore gen4 accessories offer a variety of operational and aesthetic possibilities to lighting designers as well as the dependable durability associated with Color Kinetics products. Multiple beam angles can be achieved with the spread lenses to offer a range of floodlighting, spotlighting, wall washing and grazing options. The rock guard, louver, and glare shields can be installed on luminaires to improve the precision of the lighting while also providing extra protection.



- Creates new aesthetic possibilities—Add or combine a spread lens, louver, rock guard, full glare shield, or half glare shield in three colors (black, gray, and white).
- Spread Lens—Expands customization with a wide range of beam angle options—In addition to the native 10° lens, five different spread lenses can customize the luminaire to produce 20°, 40°, 60°, 80°, and 10° x 40° (asymmetric) beam angles.
- Spread lens Trim Ring—Necessary to mount a spread lens. Available in three colors (black, gray, and white) to match your luminaires. Must be ordered separately in addition to Spread Lens.
- Louver—Controls the spill light, like a glare shield, but requires a fraction of the depth.
- Rock Guard—Provides an added layer of protection from falling objects and external impact.
- Full Glare Shield—Prevents the light source from being visible and directs the spill light to a predictable area.
- Half Glare Shield—Angled on one side the half glare shield prevents the viewer from seeing the light source.
- Match the color of the accessories to the housing color of the Blast Powercore gen4 luminaires you have chosen.
- Meets ASTM B117 standard for > 1,500 hours of corrosion resistance and ANSI C136.31-2010 standard with a 3G vibration rating.

For more information, please refer to www.colorkinetics.com/lis/accessories/Blast-gen4/

Specifications

Due to continuous improvements and innovations, specifications may change without notice.

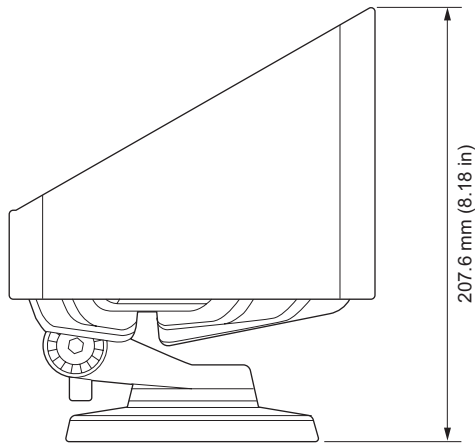
Physical

Dimensions <i>(Height x Width x Depth)</i>	130.2 x 348 x 176.3 mm (5.1 x 13.7 x 6.9 in)
Weight	0.4 kg (1 lb)
Housing	Stainless steel, black powder-coated finish
Corrosion Resistance	Complies with ASTM B117 standard for >1, 500 hours
Vibration Resistance	Complies with ANSI C136.31, 3G

Certification and Safety

Environment	Dry/Damp/Wet Location
-------------	-----------------------

Dimensions



Blast gen4 accessories can be combined in a number of configurations. To see mounted dimensions for configurations with multiple accessories please download the full set of product drawings from the luminaire product pages at www.colorkinetics.com/Blast-Powercore-gen4/.

Part Numbers

Use Item Number when ordering in North America.

Accessory

	Item Number	12NC
Blast gen4 Half Glare Shield, Black Finish	120-000185-14	912400130350

Additional Accessories

Louver, Black	120-000185-05	912400130341
Rock Guard, Black	120-000185-07	912400130343
Full Glare Shield, Gray	120-000185-16	912400133531
20° Spread Lens (Diffuser Trim Ring must be ordered separately)	120-000185-08	912400130344
40° Spread Lens (Diffuser Trim Ring must be ordered separately)	120-000185-09	912400130345
60° Spread Lens (Diffuser Trim Ring must be ordered separately)	120-000185-10	912400130346
80° Spread Lens (Diffuser Trim Ring must be ordered separately)	120-000185-11	912400130347
10° x 40° Spread Lens (Diffuser Trim Ring must be ordered separately)	120-000185-12	912400130348
Diffuser Trim Ring, Black	120-000185-01	912400130337



© 2019 Signify Holding. All rights reserved. Specifications are subject to change without notice. No representation or warranty as to the accuracy or completeness of the information included herein is given and any liability for any action in reliance thereon is disclaimed.

Color Kinetics
www.colorkinetics.com